



Invitation for quotation for RCC ESR Water tank 25000-liter capacity 12 M height

O.No.: -

Date: - 15/07/2022

You are invited to submit your most competitive quotation for the following tender:

Brief description of the tenders:-

RCC ESR water storage tank 25kl

1. Quoted Price:

- a. The Quotation shall be for valid up to 23rd July 2022 for the above-described products.
- b. The bidder shall quote for goods / services in the format of quotation attached;
- c. All duties, taxes, F.O.R. and other levies payable by the bidder shall be included in the goods / services and shall stand final.
- d. The rates quoted for each goods / service shall be fixed for the duration of the quotation validity and shall not be subject to adjustment.
- e. Corrections if any shall be made by crossing out, initialing, dating and rewriting.
- f. The prices shall be quoted in Indian Rupees only

2. Each bidder must submit only one quotation. Bidder shall not contact other bidders in matters relating to this Quotation

3. Validity of quotations:

The quotation shall remain valid for up to 23rd July 2022 after the deadline fixed for submission of quotations.

Evaluation of quotations:

Purchaser will evaluate and compare the quotations determined to be substantially responsive

i.e., which are properly signed, and conform to the terms & conditions and specifications in the following manner.

- a. The evaluation will be done excluding the GST.
- b. The evaluation would be done for all the goods / services put together. The items for which no rates have been quoted would be treated as zero and the total amount would be computed accordingly. We will award the contract to the responsive bidder whose total cost for all the items put together is the lowest.
- c. Compare terms & conditions and specifications

Award of contract:

- a. Purchaser will award the contract to the bidder whose quotation has been determined to be substantially responsive and who has offered the lowest price as per Para 4(b) above.
 - b. Purchaser prior to the expiration of the quotation validity period will notify the bidder whose quotation is accepted of the award of contract. The terms of the accepted offer shall be incorporated in the Purchase Order or Work Order.
 - c. Notwithstanding the above, purchaser reserves the right to accept or reject any quotations and to cancel the bidding process and reject all quotations at any time prior to the award of the contract.
4. Payment shall be made immediately within 14 days after completion of the work. 1st RA Bill after completion 25 % work & 2nd RA bill after completion of the 75% work completion & then after final bill at full completed stage.
 5. Normal commercial guarantee / warranty shall be applicable to the supplied goods/ services.
 6. **Tender fee Rs.2,000/- to deposit in the mention below bank account. Also, cash deposit receipt or online transfer screenshot attach with the tender. If not found attachment related to tender fee, tender will be rejected.**
Account Name: - BISLD Campus Local Account
Branch: - BOB-Bansda
Account No.: - 08480100052968
IFSC: - BARB0BANSDA (fifth character is Zero)

7. Submission of quotations:

Please send your quotation by email on procurement.sg@baif.org.in .Please mention quotation for “**RCC ESR water tank 25kl at Chondha Village**” in the subject of mail.

(Quotation should be scan and duly stamped on letterhead of firm.)

- **Last date of Submission is 23/07/2022 latest by 5:30 p.m.**
- **Address: BAIF Institute for Sustainable Livelihoods and Development,
"DHRUVA-Vrindavan Campus", Lachhkadi, PO Gangpur, Tal. Vansda,
Dist. Navsari - 396580, Gujarat**

We look forward to receiving your quotations.

Yours Sincerely,

V. B. Dyasa

V. B. Dyasa
Regional
Director BISLD,
West Region

(To be printed on Pre-numbered Quotation format or if same is not available then on Letterhead with unique number and date)

FORMAT OF QUOTATION

Sr. No.	Description of Service/Goods/Items	Specification	Qty.	Unit (No.)	Quoted Unit Price (Rs)	Total Amount
1	RCC ESR 25kl at Chondha	As per drawing & estimate	1	Nos.		
		Total				
		Taxes @% (if any)				
		Grand Total				

Terms and Conditions:

1. GST Number –
2. Type of GST- Composite / Regular
3. Transport -
4. Quotation validity –
5. Warranty / Guarantee –
6. Expiry date of the material (wherever applicable) –
7. Days required for fulfill order-
8. MSME Registration – Yes/ no ...()...
9. Special Remark
10. Any add on service

Signature with Stamp of Firm
Name of Authorized signatory

Village:Chondha

Taluka :- Vandsa

Abstract Sheet

Sr.No.	Item Description	Rate Specification	Quantity	Rate	Unit	Amount
1	<u>Item No: 01</u> Excavation for foundation for depth of 0.0 mt to 1.5 mt, including throwing the excavated stuff upto lead of a 90 M.	GWSSB SOR 22-23 Section-1F / Page no. 69 / Item no. 1				
	0.00 to 1.50 mtr Depth					
	[A] In all soils, including hard murrum	1 / (ii)	15.97	128	cum	2,044.22
	[B] In soft rock	1 / (iii)	6.84	273	cum	1,868.55
	1.50 to 3.00 mtr Depth					
	[A] In hard murrum	2 / (ii)	3.04	199	Cum	605.36
	[B] In soft rock	2 / (iii)	10.65	286	Cum	3,045.04
	[C] In hard rock with blasting and or chiselling only for finishing	2 / (iv)	1.52	675	Cum	1,026.68
2	<u>Item No: 02</u> Providing and casting in situ mass cement concrete in grade M-100 (approx. corresp. to prop. 1:3:6) using granite quartzite trap metal of size 12 mm to 25 mm incl. consolidation curing etc. complete.	GWSSB SOR 22-23 Section-C / Page no. 43 / Item no. 2 / 2.1	7.61	3972	Cum	30,207.06
3	<u>Item No: 03</u> Filling in foundation and plinth with selected excavated earth or murrum, in layers not exceeding 200mm including watering, ramming etc. complete.	GWSSB SOR 22-23 Section-B / Page no. 40 / Item no. 14	30.42	22.00	Cum	669.24
4	<u>Item No: 04</u> Providing & laying RCC M 25 footing excludg. M.S. Reinforcement including shuttering, boxing mixing placing, ramming etc complete, for footing	GWSSB SOR 22-23 Section-C / Page no. 44 / Item no. 6 / 2	4.01	8077	Cum	32,388.77
5	<u>Item No: 05</u> Providing & laying RCC M 25 column below plinth excl. m.s. Reinforcement -do-	GWSSB SOR 22-23 Section-C / Page no. 44 / Item no. 6 / 12	0.90	9195	Cum	8,275.50
6	<u>Item No: 06</u> Providing & laying 1:11/2:3 RCC column in S.S. excludg. m.s. reinforcement incldg. shuttering boxing, mixing, placing, curing etc. complete (up to 50' ht)	GWSSB SOR 22-23 Section-C / Page no. 44 / Item no. 5 / 5	5.58	7553	Cum	42,145.74
7	<u>Item No: 07</u> Providing & laying RCC M 25 ground beam & plinth Beam --do--	GWSSB SOR 22-23 Section-C / Page no. 44 / Item no. 6 / 5	1.43	8347	Cum	11,964.26
8	<u>Item No: 08</u> Providing & laying RCC M 25 tie beam at (up to 10' ht)	GWSSB SOR 22-23 Section-C / Page no. 44 / Item no. 6 / 5	2.01	8552	Cum	17,158.73
9	<u>Item No: 09</u> Providing & laying RCC M 25 tie beam at (up to 20' ht)	GWSSB SOR 22-23 Section-C / Page no. 44 / Item no. 6 / 5	2.01	8757	Cum	17,570.04
10	<u>Item No: 010</u> Providing & laying RCC M 25 tie beam at 30' ht	GWSSB SOR 22-23 Section-C / Page no. 44 / Item no. 6 / 5	2.01	8962.00	Cum	17,981.36
11	<u>Item No: 11</u> Providing & laying RCC M 25 slab beam at 40' ht	GWSSB SOR 22-23 Section-C / Page no. 44 / Item no. 6 / 5	3.55	8897.00	Cum	31,548.76
12	<u>Item No: 12</u> Providing & laying RCC M 25 SLAB 5" thk. at VARIOUS HT	As per Rate analysis by structural Designer	13.68	3000.00	Sqm	41,040.00
13	<u>Item No: 13</u> Providing & laying RCC M 25 SLAB 8" thk. at 40' ht	As per Rate analysis by structural Designer	17.64	3600.00	Sqm	63,504.00
14	<u>Item No: 14</u> Providing & laying RCC M 25 pardi 8" thk. at 40' ht.	As per Rate analysis by structural Designer	28.86	1250	Sqm	36,075.00
15	<u>Item No: 15</u> Providing & constructing 9" th bk. masonry in CM 1:6 below plinth with first class bricks well watered mortar of fine sand incldg. racking out joints to receive plaster curing etc. comp.	As per Rate analysis by structural Designer	5.32	1250.00	Sqm	6,650.00
16	<u>Item No: 16</u> Filling in plinth with hard murrum incldg. ramming every layers of not more than 9" th incldg. watering, power rolling with 10 tons of roller.	GWSSB SOR 22-23 Section-B / Page no. 40 / Item no. 14	22.00	575.00	Cmt	12,650.00
17	<u>Item No: 17</u> Providing & laying 9" th dry rubble packing in Plinth with black basalt incldg. filling in between voids with over size metal, ramming or power rolling with 10 tons roller.	Market rate	13.47	475.00	Cum	6,400.53

Sr.No.	Item Description	Rate Specification	Quantity	Rate	Unit	Amount
18	<u>Item No: 18</u> Providing & constructing 9" th brick masonry in S.S. --do-- as per item No. 15 G.F.	<u>Market Rate</u>	5.32	1100.00	Sqm	5,852.00
19	<u>Item No: 19</u> Providing & laying 1:4 niroo finished cement Plaster with screened sand incldg. curing, scaffolding at G.F.	BISLD Rate Analysis	11.40	220.00	Sqm	2,508.00
20	<u>Item No: 20</u> Providing & laying double coat sand face plaster in CM 1:4 in first coat and 1:3 for second coat incldg. curing scaffolding etc. comp. (any ht.)	BISLD Rate Analysis	238.55	220.00	Sqm	52,481.00
21	<u>Item No: 21</u> Providing & laying waterproofing 1 1/2" th IPS on slab / pardi with waterproofing compound in CM 1:3 (waterproofing compound 1 Kg/1 bag of cement) incldg. 1/2" top layer of 1:3 cement mortar incldg. finishing	<u>Market Rate</u>	51.12	600.00	Sqm	30,672.00
22	<u>Item No: 22</u> Providing & Fixing 4" dia PVC rain water pipe including nessary accesaries etc complete	<u>Market rate</u>	15.00	350.00	rmt	5,250.00
23	<u>Item No: 23</u> White wash in 3 coats with brush incldg. necessary scaffolding etc Comp. G.F	<u>Market rate</u>	11.40	60.00	Sqm	684.00
24	<u>Item No: 24</u> Providing & painting with Apex paint in 2 coats with brush incldg. necessary scaffolding.	<u>GWSSB SQR 22-23 Section-A / Page no. 47 / Item no. 22</u>	238.55	79.00	Sqm	18,845.45
25	<u>Item No: 25</u> Providing & laying 9" th dry rubble soling below footing including black basalt including filling in between voids with over size metal, ramming etc. complete	<u>Market rate</u>	15.21	500.00	Sqm	7,605.00
26	<u>Item No: 26</u> Providing & Fixing Cowel etc. complete	<u>Market rate</u>	2.00	1500.00	Nos	3,000.00
27	<u>Item No: 27</u> Providing & placing steel (TMT steel) for reinforcement incldg. cutting, bending, binding with 16 gauge binding wire etc.	<u>Market Rate</u>	4368.00	90.00	KG	393,120.00
28	<u>Item No: 28</u> Providing & Fabricating 1M WIDE M.s. Stair upto 14.0 MT HT.including pipe raling etc complete with insert plate, anchor bolt etc complete	<u>Market Rate</u>	1.00	195000.00	L.S.	195,000.00
Total Amount						1,099,836.29
5% Contengencies						54,991.81
(Eleven Lacs Fifty Four Thousands Eight Hundred Twenty Eight Only) Gross Amount						1,154,828.10

Name of work: 25 KL RCC ESR at Chondha 12 Mt Height

Village:Chondha
Taluka :- Vansda

MEASUREMENT SHEET								
Sr.No	Description	No	L	B	D or H	Quantity	Total Qty	Unit
<u>1</u>	<u>Item No: 01</u> Excavation for foundation for depth of 0.0 mt to 1.5 mt, including throwing the excavated stuff upto lead of a 90 M.							
1.1	0.00 to 1.50 mtr Depth							
	[A] In all soils, including hard murrum							
	For Footing	4.0	1.950	1.950	1.500	22.82		
	70 % Consideration	0.70	22.815			15.97		
						Qty	15.97	Cum
						Total Qty	15.97	15.97 Cum
	[B] In soft rock							
	For Footing	4.0	1.950	1.950	1.500	22.82		
	30 % Consideration	0.30	22.815			6.84		
						Qty	6.84	Cum
						Total Qty	6.84	6.84 Cum
1.2	1.50 to 3.00 mtr Depth							
	[A] In hard murrum							
	For Footing	4.0	1.950	1.950	1.000	15.21		
	20 % Consideration	0.20	15.210			3.04		
						Qty	3.04	Cum
						Total Qty	3.04	3.04 Cum
	[B] In soft rock							
	For Footing	4.0	1.950	1.950	1.000	15.21		
	70 % Consideration	0.70	15.210			10.65		
						Qty	10.65	Cum
						Total Qty	10.65	10.65 Cum
	[C]In hard rock with blasting and or chiselling only for finishing							
	For Footing	4.0	1.950	1.950	1.000	15.21		
	10 % Consideration	0.10	15.210			1.52		
						Qty	1.52	Cum
						Total Qty	1.52	1.52 Cum
<u>2</u>	<u>Item No: 02</u> Providing and laying cement concrete in C.C 1:3:6 in foundation including ramming, curing etc. complete, with using black stone metal 40mm to 50mm size. Without form work							

Sr.No	Description	No	L	B	D or H	Quantity	Total Qty	Unit
	For Footing	4.0	1.950	1.950	0.500	7.61		
					Total Qty	7.61	7.61	Cum
<u>3</u>	<u>Item No: 03</u> Filling in foundation and plinth with selected excavated earth or murrum, in layers not exceeding 200mm including watering, ramming etc. complete.							
	For Footing	4.0	1.950	1.950	2.000	30.42		
					Total Qty	30.42	30.42	Cum
<u>4</u>	<u>Item No: 04</u> Providing & laying RCC M 25 footing excludg. M.S. Reinforcement including shuttering,boxing mixing placing,ramming etc complete, for footing							
	For Footing	4.0	1.65	1.65	0.23	4.01		
		1.6	0.4	0.6	0.5			
					Total Qty	4.01	4.01	Cum
<u>5</u>	<u>Item No: 05</u> Providing & laying RCC M 25 column below plinth excl. m.s. Reinforcement -do-							
	For Column	4.0	0.300	0.300	2.500	0.90		
					Total Qty	0.90	0.90	cum
<u>6</u>	<u>Item No: 06</u> Providing & laying 1:11/2:3 RCC column in S.S. excludg. m.s. reinforcement incldg. shuttering boxing, mixing, placing, curing etc. complete (up to 50' ht)							
	For Column	4.0	0.300	0.300	15.500	5.58		
					Total Qty	5.58	5.58	cum
<u>7</u>	<u>Item No: 07</u> Providing & laying RCC M 25 ground beam & plinth Beam --do--							
	GB1	4.0	3.800	0.230	0.380	1.33		
	GB2	1	1.2	0.23	0.38	0.10		
					Total Qty	1.43	1.43	Cum
<u>8</u>	<u>Item No: 08</u> Providing & laying RCC M 25 tie beam at (up to 10' ht)							
	1B1	4.0	3.800	0.300	0.380	1.73		
	1B2	2	1.2	0.3	0.38	0.27		
					Total Qty	2.01	2.01	Cum

Sr.No	Description	No	L	B	D or H	Quantity	Total Qty	Unit
<u>9</u>	<u>Item No: 09</u> Providing & laying RCC M 25 tie beam at (up to 20' ht)							
		2B1	4.0	3.800	0.300	0.380	1.73	
		2B2	2	1.2	0.3	0.38	0.27	
					Total Qty	2.01	2.01	Cum
<u>10</u>	<u>Item No: 010</u> Providing & laying RCC M 25 tie beam at 30' ht							
		3B1	4.0	3.800	0.300	0.380	1.73	
		3B2	2	1.2	0.3	0.38	0.27	
					Total Qty	2.01	2.01	Cum
<u>11</u>	<u>Item No: 11</u> Providing & laying RCC M 25 slab beam at 40' ht							
		4B1	4.0	3.800	0.300	0.600	2.74	
		4B2	2	1.2	0.3	0.45	0.32	
		5B1	3	1.2	0.3	0.45	0.49	
					Total Qty	3.55	3.55	Cum
<u>12</u>	<u>Item No: 12</u> Providing & laying RCC M 25 SLAB 5" thk. at VARIOUS HT							
		1S1	1.0	1.200	1.200		1.44	
		1S2	1.0	1.200	1.200		1.44	
		2S1	1.0	1.200	1.200		1.44	
		3S1	1.0	1.200	1.200		1.44	
		4S1	1.0	1.200	1.200		1.44	
		5S1	1.0	1.200	1.200		1.44	
		5S2	1.0	1.200	4.200		5.04	
					Total Qty	13.68	13.68	Sqm
<u>13</u>	<u>Item No: 13</u> Providing & laying RCC M 25 SLAB 8" thk. at 40' ht							
		4S2	1.0	4.200	4.200		17.64	
					Total Qty	17.64	17.64	Sqm
<u>14</u>	<u>Item No: 14</u> Providing & laying RCC M 25 pardi 8" thk. at 40' ht.							
		Pardi	4.0		3.900	1.850	28.86	
					Total Qty	28.86	28.86	Sqm
<u>15</u>	<u>Item No: 15</u> Providing & constructing 9" th bk. masonry in CM 1:6 below plinth with first class bricks well watered mortar of fine sand incldg. racking out joints to receive plaster curing							
		Below Plinth	4.0	3.500		0.380	5.32	

Sr.No	Description	No	L	B	D or H	Quantity	Total Qty	Unit
					Total Qty	5.32	5.32	Sqm
<u>16</u>	<u>Item No: 16</u> Filling in plinth with hard murrum incldg. ramming every layers of not more than 9" th incldg. watering, power rolling with 10 tons of roller.							
	Below Plinth	1.0	4.200	4.200	0.380	6.70		
	Below Footing	4	1.95	1.95	0.38	5.78		
					Total Qty	12.48	12.48	Cum
<u>17</u>	<u>Item No: 17</u> Providing & laying 9" th dry rubble packing in Plinth with black basalt incldg. filling in between voids with over size metal, ramming or power rolling with 10 tons roller.							
	Below Plinth	1.0	4.500	4.500	0.380	7.70		
	Below Footing	4	1.95	1.95	0.38	5.78		
					Total Qty	13.47	13.48	Cum
<u>18</u>	<u>Item No: 18</u> Providing & constructing 9" th brick masonry in S.S. --do-- as per item No. 15 G.F.							
	Below Plinth	4.0	3.500		0.380	5.32		
					Total Qty	5.32	5.32	Sqm
<u>19</u>	<u>Item No: 19</u> Providing & laying 1:4 niroo finished cement Plaster with screened sand incldg. curing, scaffolding at G.F.							
		5.0	1.200	1.200		7.20		
		1.0	3.500	1.200		4.20		
					Total Qty	11.40	11.40	Sqm
<u>20</u>	<u>Item No: 20</u> Providing & laying double coat sand face plaster in CM 1:4 in first coat and 1:3 for second coat incldg. curing scaffolding etc. comp. (any ht.)							
	C1	4.0	0.300	4.000	12.800	61.44		
	Beam	3.0	1.500	4.000	3.800	68.40		
	Beam	4.0	1.500	2.000	1.200	14.40		
	Slab	4.0	1.200	4.000	1.500	28.80		
	Ceiling	1.0	1.000	3.900	3.900	15.21		
	Pardi	1.0	2.750	4.000	4.000	44.00		
	Slab	1.0	1.000	4.200	1.500	6.30		
					Total Qty	238.55	238.55	Sqm

Sr.No	Description	No	L	B	D or H	Quantity	Total Qty	Unit
					Total Qty	238.55	238.55	Sqm
<u>25</u>	<u>Item No: 25</u> Providing & laying 9" th dry rubble soling below footing including black basalt including filling in between voids with over size metal, ramming etc. complete							
		4.0	1.950	1.950	1.000	15.21		
					Total Qty	15.21	15.21	Sqm

steel calculation

RCC ESR 25kl at Chondha

Description	NO	L	B	H/W	Quantity	Unit
(A) BOTTOM SLAB						
(a)Bottom Slab 12 mm dia 125 mm c/c						
No of bars	1	4.5	0.125		36.00	
					36.0	
Avg. Lenth of bar	1	1.00	4.5		4.5	
					4.5	
Total Reinforcement Wt.	2	36.0	4.5	0.89	288.36	KG
(b)Bottom Slab 12 mm dia 125 mm c/c						
No of bars	1	4.5	0.125		36.00	
					36.0	
Avg. Lenth of bar	1	1.00	4.5		4.5	
					4.5	
Total Reinforcement Wt.	2	36.0	4.5	0.89	288.36	KG
(B) PARDI						
(a)8 mm dia 150 mm c/c						
No of bars	1	1	4.2	0.15	28.00	
					28.00	NO
Avg. Lenth of bar		2	0.6		2.6	
Total Reinforcement Wt.	4	28.00	2.6	0.39	113.568	KG
(b)12 mm dia 150 mm c/c						
No of bars	1	1	4.2	0.15	28.00	
					28.00	NO
Avg. Lenth of bar		2	0.6		2.6	
Total Reinforcement Wt.	4	28.00	2.6	0.89	259.168	KG
(C) TOP SLAB						
(a)Bottom Slab 10 mm dia 125 mm c/c						
No of bars	1	4.5	0.125		36.00	
					36.0	
Avg. Lenth of bar	1	1.00	4.5		4.5	
					4.5	
Total Reinforcement Wt.	2	36.0	4.5	0.89	288.36	KG
(b)Bottom Slab 8 mm dia 175 mm c/c						
No of bars	1	4.5	0.175		25.71	
					26.0	
Avg. Lenth of bar	1	1.00	4.5		4.5	

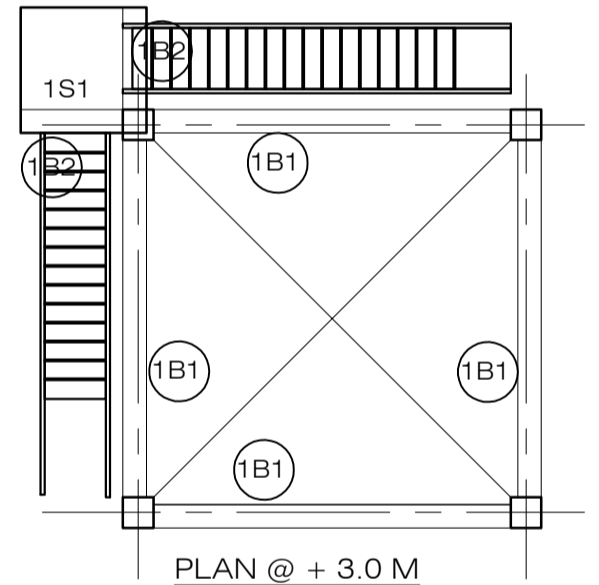
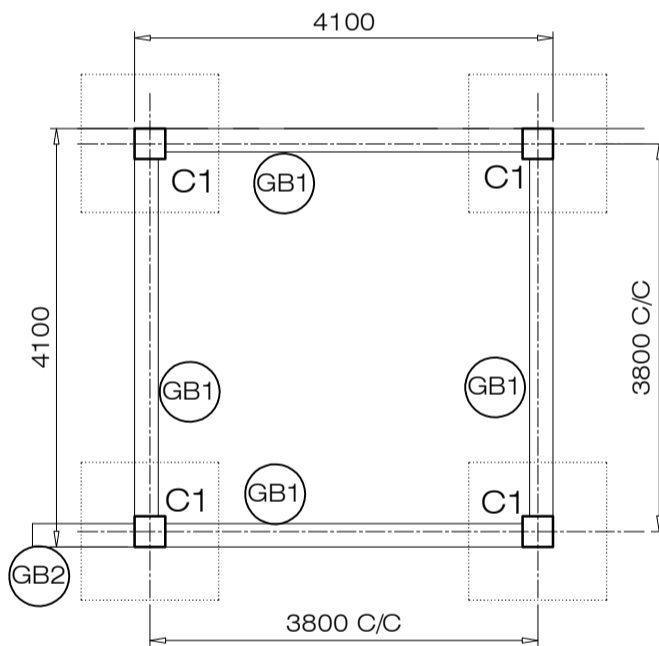
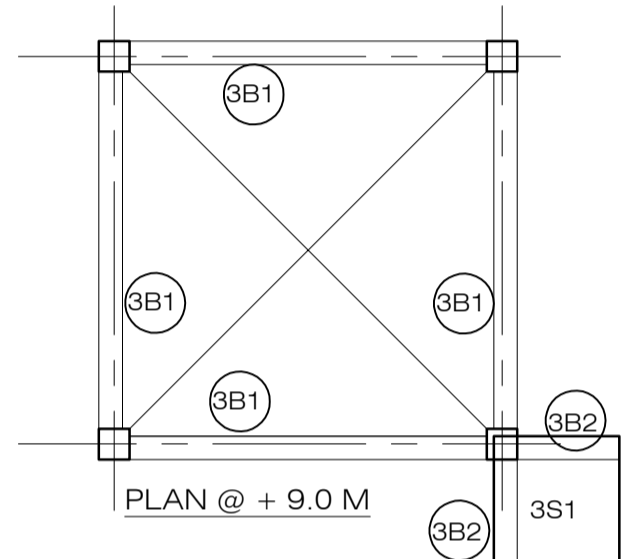
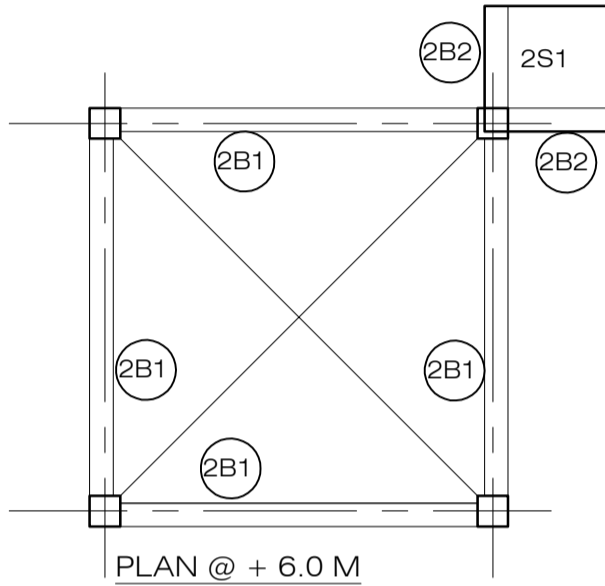
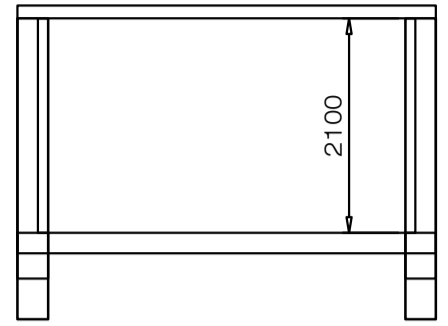
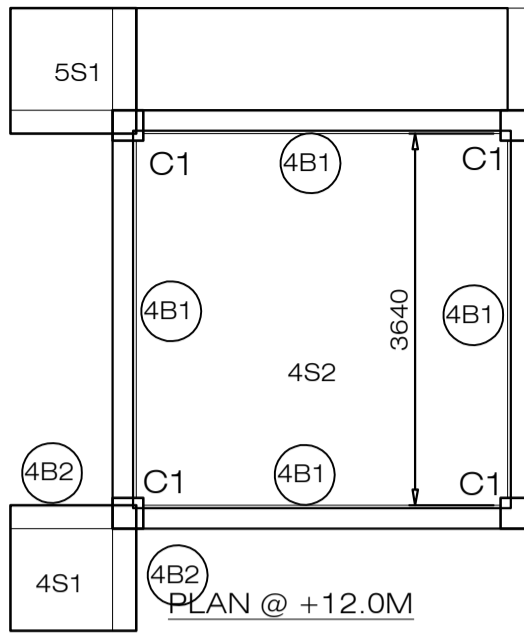
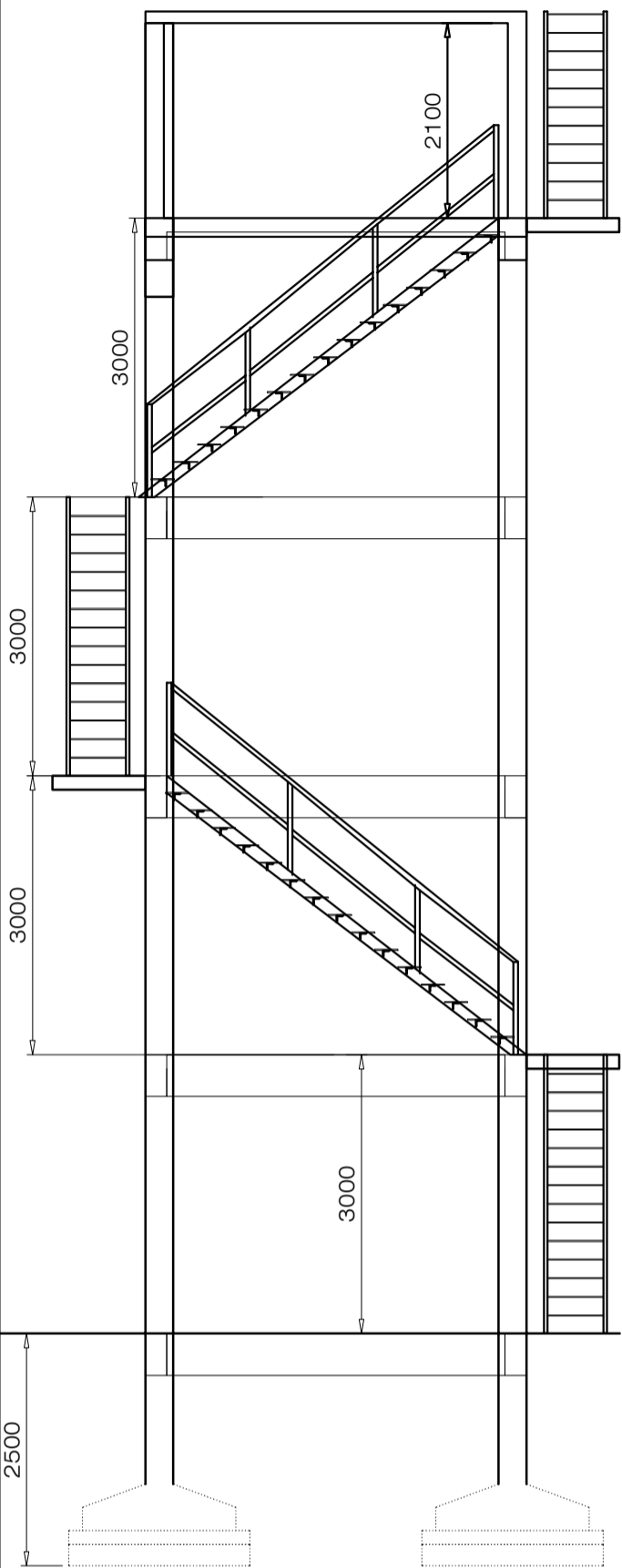
Total Reinforcement Wt.	2	26.0	4.5	0.89	4.5	208.26	KG
(D) LANDING SLAB							
(a)Slab 8 mm dia 150 mm c/c							
No of bars	1	1.5	0.15			10.00	
						10.0	
Avg. Lenth of bar	1	1.00	1.5			1.5	
						1.5	
Total Reinforcement Wt.	4	10.0	1.5	0.89		53.40	KG
(b)Slab 8 mm dia 175 mm c/c							
No of bars	1	1.5	0.175			8.57	
						9.0	
Avg. Lenth of bar	1	1.00	1.5			1.5	
						1.5	
Total Reinforcement Wt.	4	9.0	1.5	0.89		48.06	KG
(a)Slab 8 mm dia 150 mm c/c							
No of bars	1	1.5	0.15			10.00	
						10.0	
Avg. Lenth of bar	1	1.00	1.5			1.5	
						1.5	
Total Reinforcement Wt.	4	10.0	1.5	0.89		53.40	KG
(b)Slab 8 mm dia 175 mm c/c							
No of bars	1	4.2	0.175			24.00	
						24.0	
Avg. Lenth of bar	1	1.00	4.2			4.2	
						4.2	
Total Reinforcement Wt.	4	24.0	4.2	0.89		358.85	KG
(E) TIE BEAM							
(a)Bottom beam 12 mm dia							
Total Lenght	2	4.5				9.00	
Total Reinforcement Wt.	16	9.0		0.89		128.16	KG
(b)Bent up beam 10 mm dia							
Total Lenght	2	4.5				9.00	
Total Reinforcement Wt.	16	9.0		0.62		89.28	KG
(c)Top beam 12 mm dia							
Total Lenght	2	4.5				9.00	
Total Reinforcement Wt.	16	9.0		0.62		89.28	KG
(d)Ring 8 mm dia 150 mm c/c							
No of bars	1	1	4.2	0.15		28.00	
						28.00	NO
Avg. Lenth of bar		0.25	0.33			1.16	

Total Reinforcement Wt.	16	28.00	1.16	0.39		202.6752	KG
(E) LANDING SLAB BEAM							
(a)Bottom beam 12 mm dia							
Total Lenght	2	4.5				9.00	
Total Reinforcement Wt.	16	9.0		0.89		128.16	KG
(b)Top beam 12 mm dia							
Total Lenght	4	4.5				18.00	
Total Reinforcement Wt.	16	18.0		0.89		256.32	KG
(c)Ring 8 mm dia 150 mm c/c							
No of bars	1	1	4.2	0.15		28.00	
						28.00	NO
Avg. Lenth of bar		0.25	0.33			1.16	
Total Reinforcement Wt.	16	28.00	1.16	0.39		202.6752	KG

(F) TANK SLAB BEAM							
(a)Bottom beam 12 mm dia							
Total Lenght	3	4.5				13.50	
Total Reinforcement Wt.	4	13.5		1.58		85.32	KG
(b)Bent up beam 10 mm dia							
Total Lenght	3	4.5				13.50	
Total Reinforcement Wt.	4	13.5		1.58		85.32	KG
(c)Top beam 12 mm dia							
Total Lenght	2	4.5				9.00	
Total Reinforcement Wt.	4	9.0		0.89		32.04	KG
(d)Ring 8 mm dia 150 mm c/c							
No of bars	1	1	4.2	0.15		28.00	
						28.00	NO
Avg. Lenth of bar		0.25	0.33			1.16	
Total Reinforcement Wt.	4	28.00	1.16	0.39		50.6688	KG

(G) COLUMN

(a)Column 16 mm dia							
Total Lenght	4	15.5				62.00	
Total Reinforcement Wt.	4	62.0		1.58		391.84	KG



SCHEDULE OF FOOTINGS IN M20 GRADE CONCRETE(1:1.5:3)

TYPE	150 TH MASS CON. (1:3:6)		FOOTING SIZE		DEPTH		FOOTING REINFORCEMENT		COLUMN UPTO PLINTH LVL.		REMARKS
	W	L	W	L	d	D			SIZE	STEEL	
C1	1950	1950	1650	1650	230	500	11	NOS -10 DIA IN S.S.	300x300	4-16 DIA	
							11	NOS -10 DIA IN L.S.			

SCHEDULE OF BEAMS(M25)

TYPE	SIZE	BOTTOM STEEL STRAIGHT BENT UP		BENT AT	TOP BAR	STIRRUUPS	REMARKS
GB1	230x380	2-12 DIA	2-10 DIA	550	2-10 DIA	8 DIA @ 150-200 C/C	
GB2	230x380	2-12 DIA	-	-	3-12 DIA	8 DIA @ 150 C/C	CANTILEVER
1B1	230x380	2-12 DIA	2-10 DIA	550	2-8 DIA	8 DIA @ 150-200 C/C	TOP @ 3M LVL.
1B2	230x380	2-12 DIA	-	-	4-12 DIA	8 DIA @ 150 C/C	CANTILEVER
2B1	230x380	2-10 DIA	2-10 DIA	550	2-8 DIA	8 DIA @ 150-200 C/C	TOP @ 6M LVL.
2B2	230x380	2-12 DIA	-	-	4-12 DIA	8 DIA @ 150 C/C	CANTILEVER
3B1	230x380	2-10 DIA	2-10 DIA	550	2-8 DIA	8 DIA @ 150-200 C/C	TOP @ 9M LVL.
3B2	230x380	2-12 DIA	-	-	4-12 DIA	8 DIA @ 150 C/C	CANTILEVER
4B1	300x600	3-16 DIA	3-16 DIA	550	2-12 DIA	8 DIA @ 150-200 C/C	TOP @ 12 M LVL.
4B2	230x450	2-12 DIA	-	-	4-12 DIA	8 DIA @ 150 C/C	CANTILEVER

SCHEDULE OF SLABS(M25)

TYPE	THICK	STIRRUUPS	STIRRUUPS	REMARKS
1S1	100	8 DIA @ 150 C/C	8 DIA @ 175 C/C	CANTILEVER FROM BEAM TOP
1S2	115	8 DIA @ 150 C/C	8 DIA @ 175 C/C	T.W. SLAB
2S1	100	8 DIA @ 150 C/C	8 DIA @ 175 C/C	CANTILEVER FROM BEAM TOP
3S1	100	8 DIA @ 150 C/C	8 DIA @ 175 C/C	CANTILEVER FROM BEAM TOP
4S1	100	8 DIA @ 150 C/C	8 DIA @ 175 C/C	CANTILEVER FROM BEAM TOP
4S2	200	12 DIA @ 125 C/C	12 DIA @ 125 C/C	T.W. SLAB TOP @ 12M.
5S1	125	10 DIA @ 125 C/C	10 DIA @ 125 C/C	T.W. SLAB TOP @ 14.25 M.

SCALE :- 1:140	DRAWN :- TRUSHAR	REV.
DATE :- 20-Jun-22	FILE: Dharampur 25kl_	
CONSULTANT'S	DETAIL OF R.C.C. FOOTING& BEAMS PROPOSED 12M HIGH 25KL OVERHEAD TANK AT VILLAGE DHARAMPUR.	
	M/s	

MBAconsultants
civil engineers & surveyors
mansukh bhavsar & associates
tel.8160309447 203,204 SONOROURS B SELVASSA ROAD VAPI 396191