



BAIF INSTITUTE FOR SUSTAINABLE LIVELIHOODS AND DEVELOPMENT

State Office: Gujarat

3rd floor, Indra Complex, Near Amarjyot Society, Manjalpur, Vadodara 390004, Gujarat, India

Ph: +91 0265-2654897, Fax: +91 0265-2651802 E-mail: bisld.gujarat@baif.org.in

Website: www.bisld.org.in CIN: U73200PN2012NPL142984

INVITATION FOR QUOTATION

To

Date: 19-09-2022

Dear Sir,

Sub: **INVITATION FOR QUOTATION FOR "Solar Water Pumping System etc"**

You are invited to submit your most competitive quotation for the following product:

Detailed Description of the Product:

Sr. No.	Materials	Specifications	Qty	Installation period	Place of delivery
1	Solar Submersible AC Pump & Motor	3.0 HP (AC), Deliver water – 3.50 LPS for 40 M Head Make: Shakti, Warranty- 5 Years Model No: SOLAR 10.5 SSP 3000	1	Within 60 days	Village: 1.Mendha, Location: Vavar
2	Solar Pump Controller	3 HP, Make: Shakti, Warranty- 5 Years			
3	Solar PV Modules	Wp -335Wp x 10 Nos =3350 Wp, Type- Poly Poly-crystalline, Make- Panasonic, Warranty- 25 Years			
4	Module mounting structure	Type- Fixed type, Hot Dip Galvanized Structure with minimum 80-micron, air Velocity- 150 KM/H, Height 5 ft, All Nut & Bolts- SS, Qty- 1 Set			
5	Inter Connecting Cables	Type- DC, Size- 4 sq. mm, Copper, Make: Anchor- Panasonic, polycab Qty- As per system design			
6	DCDB	Enclosure- Transparent, 280*190*130, IP 65, SPD- Type-2,1000V, DC MCB- 16A,2P, 1000V, Fuse Holder & Fuse- 16A, Qty- 1 Set, Make- Anchor-Panasonic (CITEL, polycab Siemens, Hager)			
7	Lightning Arrester Set	LA type- Spice type LA, earthing type-Copper plate, thickness- 3 mm, size 2' x 2', HDG Pole Mounted 5 M Heights, Make- power track, Qty- 1 Set			
8	Earthing for	Earthing type-Copper plate, thickness- 3 mm,			



	Controller and DCDB	size 2' x 2', Make- Power track, Qty- 2 Set			
9	Submersible Cable	Copper, 4 Sq.mm, 3 Core, Length- 60 M, ISI Mark, Make- Anchor -Panasonic,			
10	HDPE Suction Pipe	Up to well Top, Size- 63 mm, PE 63 PN 6, Grade, Make- ISI Length- 30 M			
11	AMC	Comprehensive maintenance service for 2 years			
12	Plot Fencing	8*8 Sq Mt GI chain link fencing of size 50 x 50 x 2.6 mm thickness with ISI mark. *Oil paint Coloring & plastering work required for the Beam steel structure gate, fencing jail etc. Fencing gate-1x2 mtr with stoper fitting properly & Detail Drawing attached with & Detail Drawing attached with			
13. Electrical fitting materials and accessories & System Testing, Installation: As per basis on site req.					
14. Insurance Policy					
i. Burglary & Housebreaking Policy					
ii. Machinery Breakdown Insurance Policy					
iii. Standard Fire and Special Perils Policy					

The first should be reference only for ANCHOR Panasonic material

Commissioning includes verifying discharge by after installation

Detailed Description of the Product: As above only ISI mark

1. Quoted Price:

- a. The offer shall be for full quantity as described above. Corrections, if any, shall be made by crossing out, initialing, dating and re-writing.
- b. The party shall quote for goods / services in the format of quotation attached.
- c. All duties, taxes and other levies payable on the raw materials and components shall be included in the total price.
- d. The rates quoted by the party shall be fixed for the duration of the contract and shall not be subject to adjustment on any account.
- e. Delivery and transportation at party's cost.
- f. The prices shall be quoted in Indian Rupees only.

2. Each party must submit only one **SEALED** quotation. Party shall not contact other parties in matters relating to this quotation.

3. Validity of Quotation

The quotation shall remain valid for a period not less than 30 days after the deadline fixed for submission of quotations.

4. Evaluation of Quotations

- a. BAIF will evaluate and compare the quotations determined to be substantially responsive i.e., which are properly signed, and conform to the terms & conditions and specifications.



- b. The evaluation would be done for all the goods / services put together. The items for which no rates have been quoted would be treated as zero and the total amount would be computed accordingly.
- c. List of similar works undertaken with details of clients etc. if any should be provided.
- d. Contract will be awarded to the responsive party/ies based on technical cum commercial grounds.

5. Award of contract

- a. The contract will be awarded to the party/ies whose quotation has been determined to be substantially responsive and technical specifications and commercial terms suit best to requirement. BAIF, prior to the expiration of the quotation validity period, will notify the party/ies whose quotation is accepted for the award of contract. The terms of the accepted offer shall be incorporated in the Purchase Order or Work Order. Quotations shall include GST & PAN numbers.
- b. Notwithstanding the above, BAIF reserves the right to accept or reject any quotation and to cancel the procurement process and reject all quotations at any time prior to the award of the contract.
- c. Rate contract can be entered into for subsequent procurement. Order may be given partially & in multiple slabs.

6. Normal commercial guarantee / warranty shall be applicable to the supplied goods.

7. Payment terms: After delivery within **15 days by cheque** / electronic transfer on receipt of invoice.

8. Queries pertaining to specifications and scope, if any, may be clarified by contacting the undersigned during office hours.

9. You are requested to provide your offer **on or before 06 October 2022** in the name of **BAIF Institute for Sustainable Livelihoods and Development (BISLD)** at our office in sealed envelope. You can also send the password protected pdf document of your quotation on procurement.sg@baif.org.in.

10. We look forward to receiving your quotations and thank you for your interest in this project

BAIF Institute for Sustainable Livelihoods and Development (BISLD)

Addl. Chief Programme Executive

Name of product: **Solar Water Pumping System**

Technical person Contact number
: 95869 55818, 93131 35997



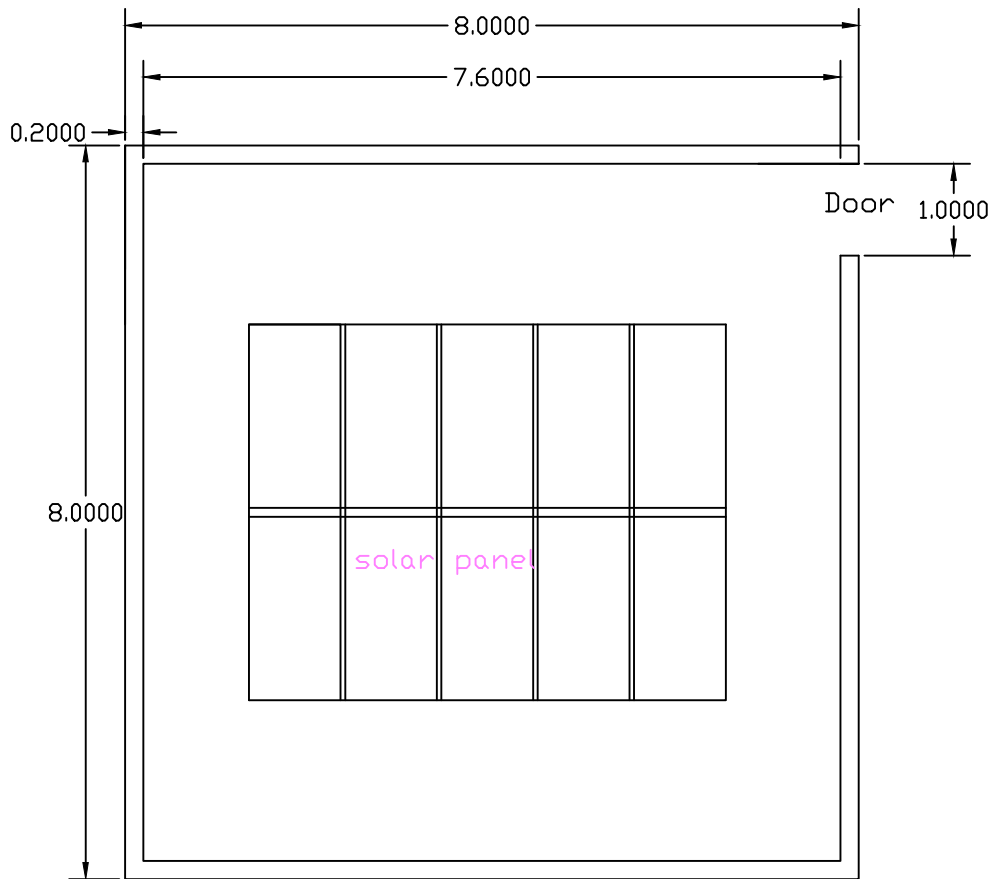
To be printed on Pre-numbered Quotation format or if same is not available then on Letterhead with unique number and date)

Sr.No	Description of Service/Goods/Items	Specification	Qty	Unit (nos)	Quoted Unit Price (Rs)	Total Amount
1						
2						
3						
4						
		Total				
		Taxes @% (if any)				
		Grand Total				

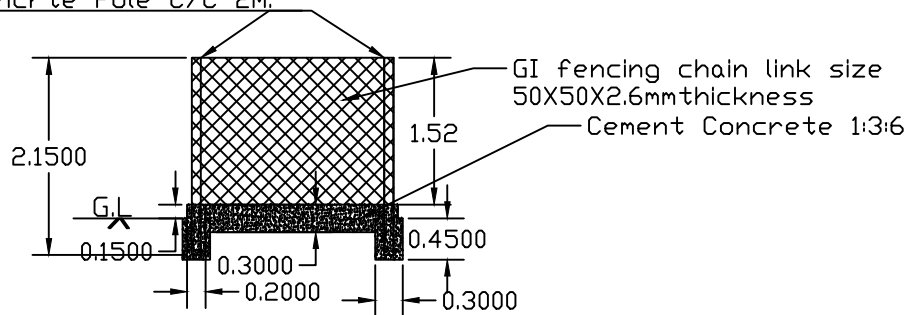
Terms and Conditions:

- 1 GST Number –
Type of GST- Composite / Regular
- 2 Transport -
- 3 Quotation validity – Warranty / Guarantee
- 4 Expiry date of the material (wherever applicable) – Days required for fulfill order-
- 5 MSME Registration – Yes/ no
- 6 ...()...
- 7 Special Remark
- 8 10. Any add on service
- 9 Signature with Stamp of Firm Name of Authorized signatory

Typical DRG solar panel Fencing work



Cement Concrte Pole C/C 2M.



Note :All
diamentions in
meter