

Invitation for Quotations for Installation of Chain Link Fencing at BAIF Farm.

BAIF/CRS/PUR/2022-23/Jan/01

Date: 23.01.2023

You are invited to submit your most competitive quotation for the following product:

| Brief Description of the Product | Technical Specifications | Quantity Required | Place of Delivery | Expected Month of Delivery |
|---|--------------------------|-------------------|-------------------|----------------------------|
| Installation of Chain Link Fencing at BAIF CRS Uruli Kanchan, Taluka Haveli, Pune 412202. | As per attached Drawing. | 854 Mtr. | Uruli Kanchan | Feb. 2023 |

Detailed Description of the Product **Installation of Chain Link Fencing at BAIF Farm** as given above.

1. **Quoted Price:**
 - a) The quotation shall be valid up to 10 Days for the above described product.
 - b) The bidder shall quote for goods/services in the attached format of quotation.
 - c) All duties, taxes, F.O.R. and other levies payable by the bidder shall be included in the goods / services and shall stand final.
 - d) The rates quoted for each good / service shall be fixed for the duration of the validity of the quotation and shall not be subject to adjustment.
 - e) Corrections if any, shall be made by crossing out, initialing, dating and rewriting.
 - f) The Prices shall be quoted in Indian Rupees only.
2. **Each bidder must submit only one quotation. Bidder shall not contact other bidders in matters related to this Quotation.**
3. **Validity of Quotations:**

The Quotation shall remain valid up to 10 Days after the deadline fixed for submission of quotation.
4. **Evaluation of Quotations:**

Purchaser will evaluate and compare the quotations determined to be substantially responsive i.e. which are properly signed and conform to the terms and conditions and specifications in the following manner.

 - a. The evaluation will be done exclusive of GST.

5. Award of contract:

- a. Purchaser will award the contract to the bidder whose quotation has been determined to be substantially responsive and who has offered the lowest price as per Para 4 (b) above.
- b. Purchaser prior to the expiry of the validity period of the quotation will notify the bidder whose quotation is accepted for the award of contract. The terms of the accepted offer shall be incorporated into the Purchase Order or Work Order.
- c. Notwithstanding the above, the Purchaser reserves the right to accept or reject any quotation, cancel the bidding process and reject all quotations at any time prior to the award of contract.

6. Payment shall be made immediately within 30 days after delivery of goods / services.

7. Normal commercial guarantee / warranty shall be applicable to the supplied goods / services.

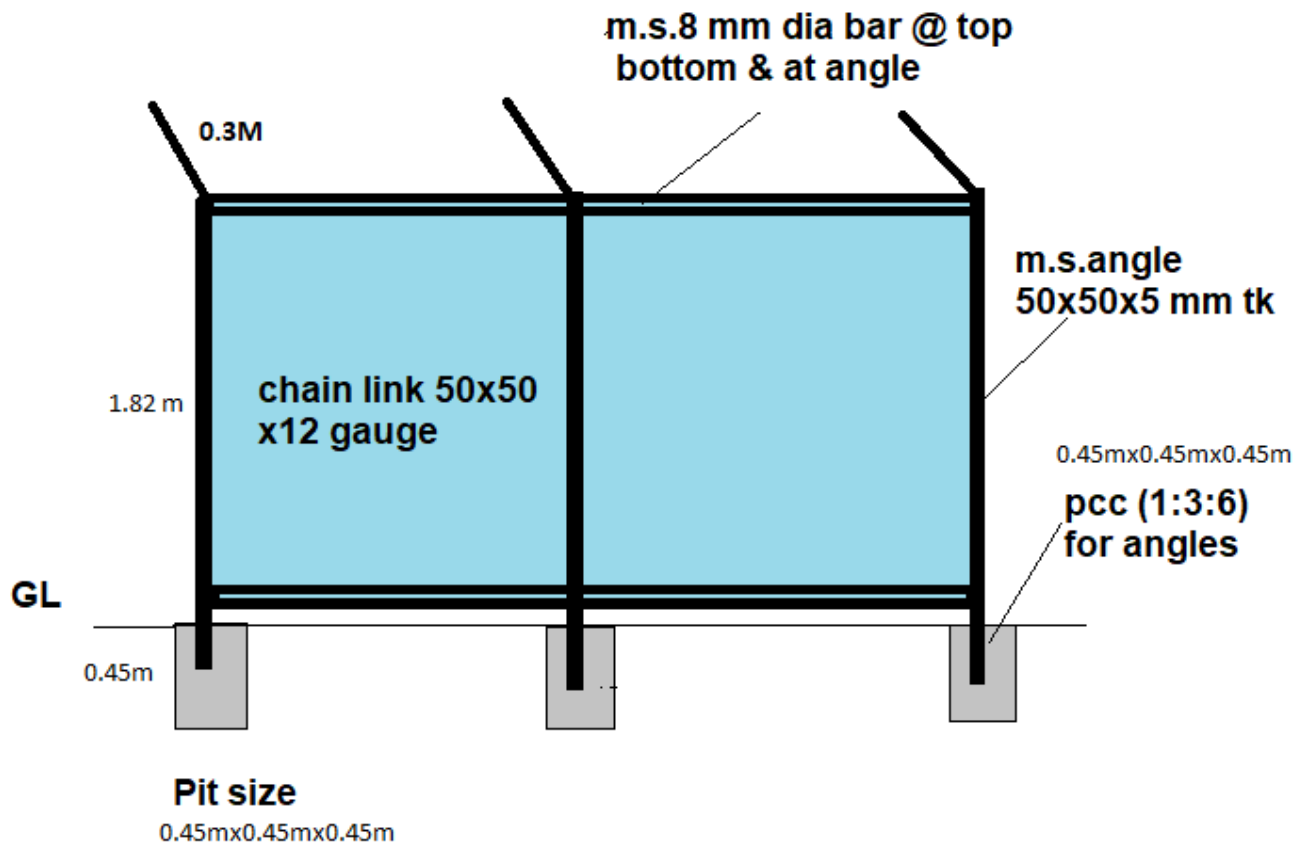
8. Submission of Quotations:

- Sealed Envelope mentioning “**Installation of Chain Link Fencing at BAIF Farm**”.
- Last date of Submission is 31st January 2023 latest by 5.00 pm.
- Address: Purchase Department, BAIF DEVELOPMENT RESEARCH FOUNDATION Central Research Station, Uruli Kanchan, Tal. Haveli, Dist. Pune 412 202.

We look forward to receiving your quotations.

BAIF Development Research Foundation
CRS, Uruli Kanchan

CHAIN LINK FENCING AT BAIF FARM NO1 CRS



Total Length of Fencing - 2800 ft that is 854m

Height of fencing

Above GL - 7 ft that is 2.43m below GL - 1.5 ft that is 0.45m

spacing of poles - 1.5m c/c tir support given at every corner & at a straight length of 10m
chain link size 50x50mm , 12 gauge

**Kulkarni S.S.
Engg BAIF CRS**