

Ref. No. BISLD/LIC HFL/2022-23/

Date: 12/01/2023

**INVITATION FOR QUOTATION FOR "EXCAVATION OF FARM-POND IN LIC HFL HRIDAY PROJECT  
SIRWAR TALUKA, RAICHUR DISTRICT, KARNATAKA**

To

.....  
.....**Dear Sir/Madam**

You are invited to submit your most competitive quotation for purchase/requirement with the following specifications per set:

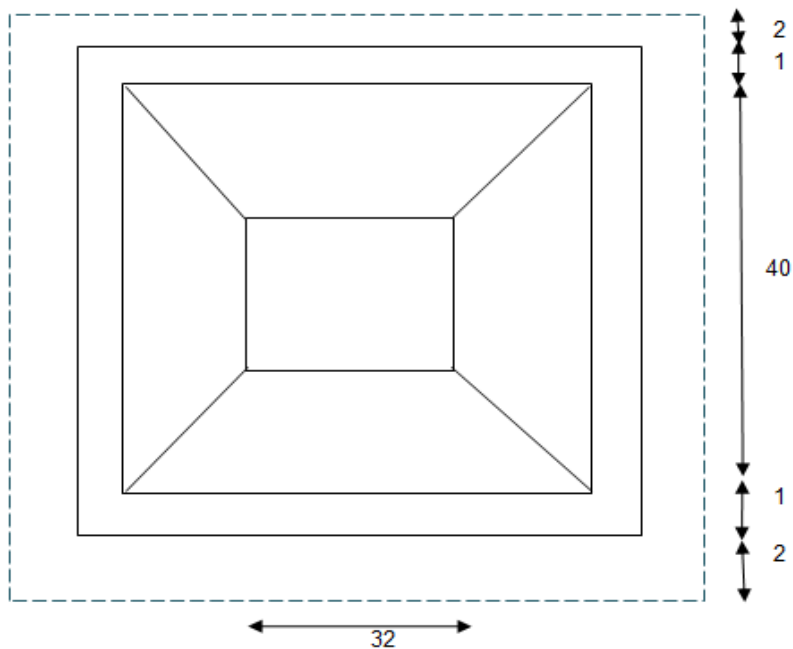
Brief description of the product	Specifications and scope	Qty.	Place of delivery/service	Time of Delivery
<b>FARM-POND EXCAVATION</b>	Farm-ponds with dimensions 40*40*3 (detailed estimation and structure are as below)	<b>14</b>	7 Villages of Sirwar Taluka, Dist. Raichur, Karnataka	<b>5<sup>th</sup> March 2023</b>

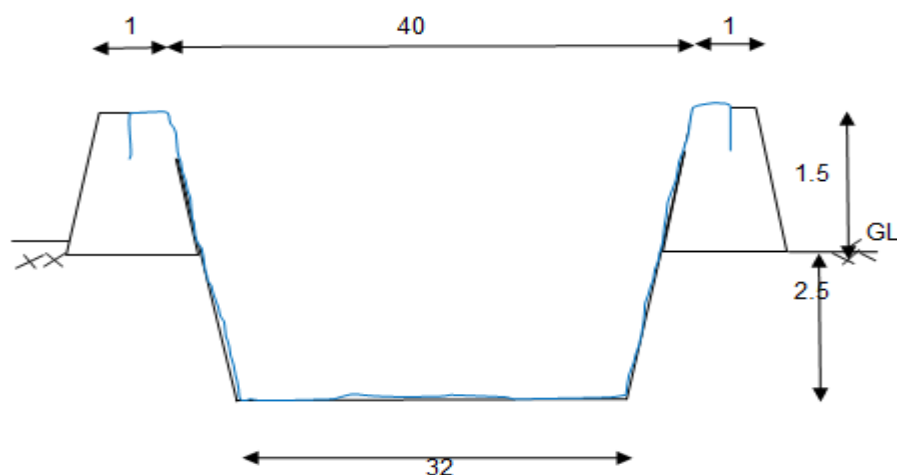
**Dimensions and Quotation:**

Sr. No.	Item	Quantity	Unit	Rate	Total Amount Rs.
A	Provision for site cleaning	2500	Sq. m		
B	Excavation work of pond				
1	up to 1.0 m depth	1521.26	cub. Met		
	1.0 to 1.50 m depth	703.13	cub. Met		
	1.50 to 2.0 m depth	666.13	cub. Met		
	2.0 to 2.50 m depth	630.13	cub. Met		
	2.50 to 3.00 m depth	595.13	cub. Met		
		Total cost of pond excavation			
2	Lead				
	15 to 20 m distance	810	cub. Met.		
	Subtotal for lead charges				
F	Inlet and outlet				
	Excavation for inlet	3.75	cub. Met		
	Excavation for outlet	2.25	cub. Met		

Sr. No.	Item	Quantity	Unit	Rate	Total Amount Rs.
	Pitching for inlet and outlet Labour work	21.2	sq. met		
	Stone required for pitching	4.876	cub. Met		
	Stone transport for pitching (upto 5km)	4.876	cub. Met		
	Silt trap (2 m x 2m x1.5 m)	6	cub. Met		
	Stone required for silt trap	3	cub. Met		
	Stone Chips required for silt trap	3	cub. Met		
	Stone transport for silt trap (upto 5km)	6	cub. Met		
	Silt trap Refilling with stone & Chips	6	cum		
	<b>Grand Total proposed Cost Rs.</b>				
	GST 18%				

**Design:**





### 1. Quoted Price:

- a. All duties, taxes, F.O.R. and loading and unloading charges and other levies payable by the bidder shall be included in the goods / services and shall stand final.
- b. The contract shall be for full quantity as described above.
- c. The bidder should strictly adhere to the formats and requirements of Annexure B while submitting the Price Bid respectively. Offers not conforming to the formats are liable to be rejected.
- d. The rates quoted for each good / service shall be fixed for the duration of the contract and shall not be subject to adjustment.
- e. Corrections if any, shall be made by crossing out, initialing, dating and rewriting.
- f. The prices shall be quoted in Indian Rupees only

### 2. Each bidder must submit only one quotation. Bidder shall not contact other bidders in matters related to this Quotation

### 3. Validity of Quotations:

The quotation shall remain valid for a period not less than 30 days after the deadline fixed for submission of quotations.

### 4.0 Terms

1. Supplier needs to adhere to the specifications and standards mentioned while supplying material. Inferior quality material will not be accepted and payment will not be made for such material.
2. The payment will be made as per agreed ToR/MoU
3. Payment will be made by cheque / NEFT / RTGS as per the steps mentioned above.
4. The costs per advisory will be in the formats mentioned with specification and transportation directly to the site by the supplier
5. The supplier has to provide PAN No. or GST No.
6. The supplier should be a manufacturer or distributor or dealer of a firm filling up the tender and registered as per the rules of the Government
7. Purchase Order will be issued from time to time as per the decision of the BISLD Purchase Committee depending on the need of the farmers.

8. As per our organization norms, no advance payment will be made (as a special case, part payment will be made available as per agreed ToR)
9. Security deposit equal to GST amount, has to be deposited and will be refunded once the supplier/vendor submits the concerned GSTR 3B

#### 4. Evaluation of Quotations:

Purchaser will evaluate and compare the quotations determined to be substantially responsive i.e. which are properly signed and conform to the terms and conditions and specifications in the following manner.

- a. The evaluation will be done exclusive of GST (if any)
- b. The evaluation will be done for all the goods / services put together. The items for which no rates have been quoted would be treated as zero and the total amount would be computed accordingly. We will award the contract to a responsive bidder whose total cost for all the items put together is the lowest.
- c. Compare terms & conditions and specifications

#### 5. Award of Contract:

- a. The contract will be awarded to the bidder/s whose offer has been determined to be substantially responsive and best suited to the requirement. BAIF, prior to expiry of the validity period of the offer, will notify the bidder/s whose offer is accepted for the award of contract. The terms of the accepted offer shall be incorporated in the Purchase Order, Work Order or ToR.
- b. Purchaser prior to the expiry of the validity period of the quotation will notify the bidder whose quotation is accepted for the award of contract. The terms of the accepted offer shall be incorporated in the Purchase Order, Work Order or ToR.
- c. Notwithstanding the above, the purchaser reserves the right to accept or reject any quotation and to cancel the bidding process and reject all quotations any time prior to the award of the contract.

6. Normal commercial guarantee / warranty shall be applicable to the supplied goods

#### 7. Submission of Quotations:

Sealed Envelope mentioning

#### **"TENDERS FOR FARM-POND EXCAVATION – LIC HFL HRIDAY PROJECT SIRWAR, RAICHUR DISTRICT"**

- **As per specification only**, on it with Contact No. and E-mail address on the envelope.
- Vendor Form duly stamped and signed
- List of Similar Works Undertaken with details of clients etc. if any.
- **Last date of Submission - 20<sup>th</sup> Jan. 2023 latest by 5.30 pm.**
- Queries pertaining to Price Bid if any, may be clarified by contacting [bisld.karnataka@baif.org.in](mailto:bisld.karnataka@baif.org.in) during office hours or at the number given below.

Address: 'BISLD Office, 11<sup>th</sup> Cross, Kusumnagar, Near Vaidyamatha Complex, Dharwad 580008

Karnataka, India Phone: 9945442761, 08134-250658 / 251337

E-mail: [malathesha.kulkarni@baif.org.in](mailto:malathesha.kulkarni@baif.org.in) [bisld.karnataka@baif.org.in](mailto:bisld.karnataka@baif.org.in)

We look forward to receiving your quotations.



ACPE, Dharwad

