

**BAIF INSTITUTE FOR SUSTAINABLE LIVELIHOODS AND DEVELOPMENT**

**State Office: Odisha**

**Plot No. 1565/2682, At Bhatra, PO Dhanupali, Sambalpur**

**Odisha 768005**

**Telephone: +91 7894418530**

**INVITATION FOR QUOTATION**

**To**

**Date: 21-05-2026**

---

---

---

---

**Dear Sir / Madam,**

**Sub.: INVITATION FOR QUOTATION FOR “1 Hp Portable Solar-based Irrigation System”**

You are invited to submit your most competitive quotation for the following product:

<b>Sr. No.</b>	<b>Brief description of the product/ work/ service</b>	<b>Specifications</b>	<b>Qty. (Unit)</b>	<b>Delivery period</b>	<b>Place of Delivery/Work /Service</b>
1.	1 Hp Portable Solar-based Irrigation System	As per attached Annexure	40	Within 15 days from date of issue of PO	Narayanpur, Chhattisgarh

**Detailed Description of the Product: As above**

**1. Quoted Price:**

- The offer shall be for the full quantity as described above. Corrections, if any, shall be made by crossing out, initialing, dating, and re-writing.
- The party shall quote for goods/services in the attached format of the quotation.
- All duties, taxes, and other levies payable on the raw materials and components shall be included in the total price.
- The rates quoted by the party shall be fixed for the duration of the contract and shall not be subject to adjustment on any account.
- Delivery and transportation at the cost of the party.
- The prices shall be quoted in Indian Rupees only.

2. Each party must submit only one **SEALED** quotation. Party shall not contact other parties in matters related to this quotation.

**3. Validity of Quotation**

The quotation shall remain valid for a period not less than 30 days after the deadline fixed for submission of quotations.

#### 4. Evaluation of Quotations

- a. BAIF will evaluate and compare the quotations determined to be substantially responsive i.e. which are properly signed, and conform to the terms & conditions and specifications.
- b. The evaluation would be done for all the goods / services put together or separately as feasible. The items for which no rates have been quoted would be treated as zero and the total amount would be computed accordingly.
- c. A list of similar work undertaken with details of clients etc. if any, should be provided.
- d. Contract will be awarded to the responsive party/parties based on technical-cum-commercial grounds.

#### 5. Award of Contract

- a. The contract will be awarded to the party/parties whose quotation has been determined to be substantially responsive and technical specifications and commercial terms best suited to the requirement. BAIF, prior to the expiry of the validity period of the quotation, will notify the party/parties whose quotation has been accepted for the award of contract. The terms of the accepted offer shall be incorporated in the Purchase Order or Work Order. Quotations shall include GST and PAN Numbers.
- b. Notwithstanding the above, BAIF reserves the right to accept or reject any quotation and to cancel the procurement process and reject all quotations any time prior to the award of the contract.
- c. Rate contracts can be entered into for subsequent procurement. Order may be given partially and in multiple slabs.
- d. The party/parties are bound to abide by the Internal Committee guidelines of the Organisation.

6. Normal commercial guarantee / warranty shall be applicable to the supplied goods.

7. Payment terms: Within 10 days after delivery by cheque / electronic transfer on receipt of invoice.

8. Queries pertaining to specifications and scope, if any, may be clarified by contacting Mr. Purna Mahapatra (7978181562) during office hours.

9. You are requested to provide your offer **on or before May 29, 2026** in the name of **BAIF Odisha** at the above address or mail it to [bisld.odisha@baif.org.in](mailto:bisld.odisha@baif.org.in) in a **password protected file**.

10. We look forward to receiving your quotations and thank you for your interest in this project.



**BAIF Institute for Sustainable Livelihoods and Development**

**“1 Hp Portable Solar-based Irrigation System”**

  
**Authorized signatory**

To be printed on letterhead / entered in printed quotation / proforma invoice / entered in this format with detailed stamp / seal)

**Quotation No.:**

**Date:**

**To**  
**The Chief Programme Executive**  
**BAIF**  
**Odisha**

**Quotation for** \_\_\_\_\_

Sr. No.	Description of Goods	Specifications, scope, make, etc.	Unit	Qty.	Quoted Unit Price (Rs.)	Total Amount (Rs.) (A)	GST (___%) (Rs.) (B)	Other taxes Packing Installation charges/ Discount (Rs.) (C)	Transportn. (Rs.) (D)	Gross Amount (Rs.) (A+B+C+D)
1										
2										
3										
4										
5										
	<b>Total</b>									

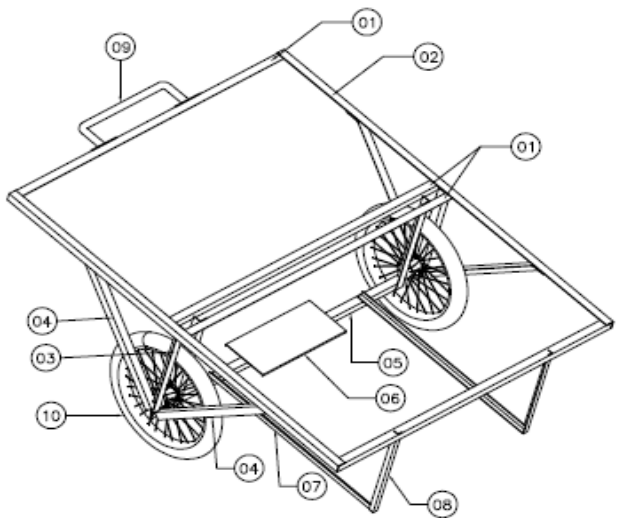
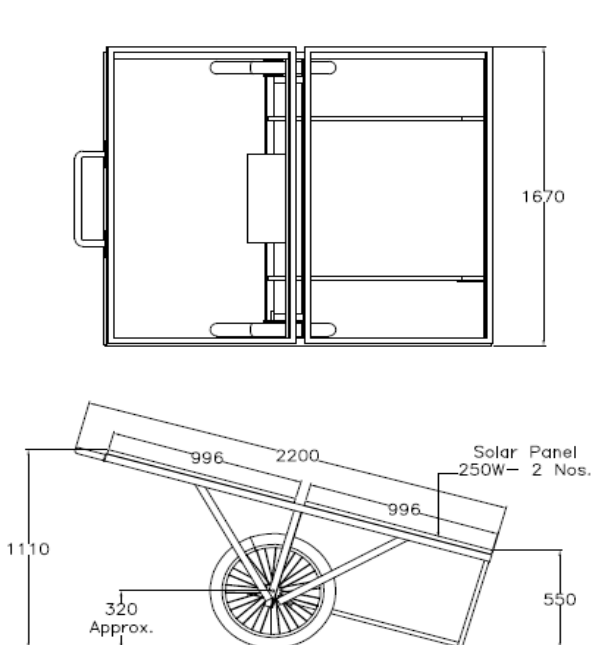
**Terms and Conditions:**

1. Warranty / Expiry :
2. Terms of payment :
3. Delivery of material within :
4. Delivery at :
5. Validity of quotation :
6. License (if applicable) (Enclose copy):
7. GST Registration No. (Enclose copy) : \_\_\_\_\_
8. Permanent Account Number (Enclose copy): \_\_\_\_\_

Signature and stamp of firm

Signature with Stamp of Firm  
Name of Authorised signatory \_\_\_\_\_

Annex: 1 1 Hp Portable Solar-Based Irrigation				For one Unit	Amount	
Sr. No.	Items	Specifications	Units	Quantity	Rate per unit	Total
1	Solar PV Modules	540W EXIDE SOLAR MODULE: 2PC, Warranty- 25 Years	Nos	2		
2	Solar DC Motar Pump	Model- <b>SKPMSM-116 60V</b> , Make: Kirloskar. Warranty- 1 Years, LPD- 99000 Ltrs, Suction Head, 8M, Total Head- 8-14m. Motor Technology: High-efficiency BLDC (Brushless DC) motor, which ensures better performance and reduced power consumption.	Set	1		
3	Solar Pump Controller	Make: Kirloskar, Warranty- 1 Years				
4	Robbotic Trolley	Material: PRE-GALVANIZED TROLLEY STRUCTURE WITH 2 WHEELS	Set	1		
5	Solar DC Cable	DC, 4 Sq. mm, Copper, Polycab	Meter	2		
6	Suction and delivery pipe	Type- Suction hose pipe, Pipe size- 50 mm & delivery pipe size 50mm, Class- Heavy, Length- 30M (08+22) with its foot valve and fitting accessories	Set	1		
7	Electrical fitting materials and accessories including Earthing and lightning arresters	As Per Requirements Of The Site, Qty- 1 Set	Set	1		
8	Branding & Asset coding	1.5ft x 2 ft G.I sheet with vinyl sticker pasting and fitting with traly with nut bolt	Nos	1		
9	System Testing, Installation & Transportation	As Per Requirements Of The Site, Qty- 1 Set	set	1		
<b>Total amount for one unit</b>						
<b>Total amount for 40 unit</b>						



*Manu*  
**Manas Ranjan Rout**  
 Sr. Project Engg.